

Standard Level



ME Analytical Balances

Designed to Last

Simply Reliable

Efficient Operation



The Essence of Weighing
And More

METTLER TOLEDO

Efficient and Convenient Performance Balances with Outstanding Value

Daily weighing routines are easy and efficient thanks to the ergonomic design features of the Standard Level ME balances. Essential functionality is at your fingertips to provide you with accurate and reliable weighing results day after day.

But there is more. These robust all-round balances not only support your daily tasks with intuitive operation and fast results, they are also easy-to-clean, have front-feet leveling, and are available with internal adjustment at a keystroke.

Designed to Last



ME balances are built to last. The solid construction and high quality materials ensure you can rely on accurate results for many years to come.

- Solid metal base
- Reinforced body
- Overload protection up to 100 kg

Simply Reliable



State-of-the-art weighing technology ensures stable and accurate results.

- Fast and reliable results
- Date and time stamp (ISO/GLP)
- Internal adjustment available on all models

Efficient Operation



The easy-to-use interface enables direct access to applications and calibration routines. Coupled with easy cleaning, your daily tasks are fast and efficient.

- Intuitive interface
- 10 built-in applications
- Rounded edges and smooth surfaces are easy-to-clean

METTLER TOLEDO Service

Comprehensive Service

To perform at its peak, a balance should be serviced periodically. Preventive maintenance and calibration are crucial to ensure high uptime and accurate results.



- Up to 50% lower power consumption
- Selection of non-critical materials – PVC-free, mercury-free
- Energy efficient manufacturing and logistic



Clear Readout

The large numbers on the brilliant backlit display are easy to read in all working environments.



Fast Results

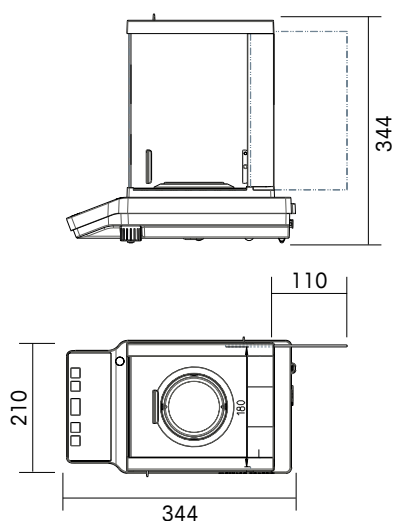
Efficient daily operations thanks to fast measurement results.



Compliant Documentation

Trace your data with built-in data and time function to meet ISO/GLP documentation requirements.

ME Analytical Balances



Model with internal adjustment	ME54	ME104	ME204
Model with external calibration	ME54E	ME104E	ME204E
Maximum capacity	52 g	120 g	220 g
Weighing platform dimensions \varnothing	90 mm		
Readability	0.1 mg		
Repeatability	0.1 mg		
Linearity	0.2 mg		
Settling time	2 s		
Sensitivity temperature drift	2.0 ppm/°C		
Weight of balance	4.7 kg (ME)/4.5 kg (ME-E)		
Applications	Formulation, totaling, dynamic weighing, piece counting, density, percent weighing, check weighing, statistics, dosing, free factor		

All models are available as legal for trade versions.

For more information

METTLER TOLEDO Group
 Laboratory Weighing
 Local contact: www.mt.com/contacts

Subject to technical changes
 © 03/2018 METTLER TOLEDO. All rights reserved
 30046861A
 Group MarCom 2322 00/JS

