

Document Your Results Fast and Reliable



Fast and reliable

Whether you deal with simple or sophisticated applications, the printer generates fast and clear hard copies of your results.



Print in your language

The Compact Printer supports the connected instrument languages, whether it operates in English, Russian, Chinese (balance), Japanese or in any other language.



Choose the right model

Choose RS-P25 / USB-P25 for simple printouts, RS-P26 with built in real-time clock and date or RS-P28 with the extended Statistics and Totaling applications.



Auto settings detection

The Printer automatically detects the settings of the connected device. Thanks to this feature no manual setting changes are required.



USB-P25, RS-P25, RS-P26, RS-P28 Compact Printer Range

No matter which METTLER TOLEDO instrument is connected, you will always obtain a printout that meets the quality standards. Handwritten entries in laboratory journal notebooks are time consuming and can be a source of transcription errors. Records on the METTLER TOLEDO normal and adhesive printer paper help to avoid such mistakes. The printouts can be archived and at any time provide proof of the original weighing data.

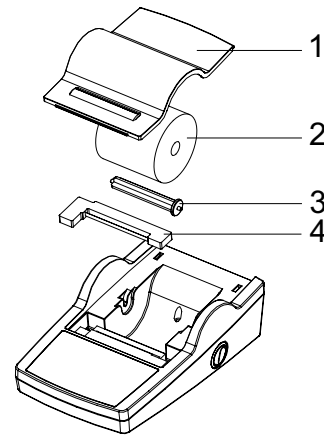
The compact printer range of METTLER TOLEDO

Dimension (mm)

			
Model	RS-P25 USB-P25	RS-P26	RS-P28
Print Application	•	•	•
Auto Settings Detection	•	•	•
Built-in real-time clock Zero/Tare key	—	•	•
Statistic application Totalling application	—	—	•
Interface	RS232 / USB	RS232	RS232



Printer unit	Dot matrix printer
Ribbon cartridge	Exchangeable, black ink
Print format	5 x 7, 24-character line length
Print speed	2.3 lines per second
Paper roll	Standard paper 57.5 mm (W), max. Ø 60 mm
Print quality	Thermally stable and lightfast paper (GxP)
Print unit durability	1,5 million lines
Power supply	AC/DC Adapter: 12 VDC, 2.5 A Primary: 100 V - 240 VAC, -15% + 10%, 50/60 Hz Secondary: 12 VDC ± 3%, 2.5 A
Power consumption	150 mA (100V), 60 mA (240V)
Interface	RS232C, 9pin male connector or USB
Altitude	Up to 4000 m
Operating temperature	0 - 40 °C
Relative humidity	Max. 80% at 31 °C, linear decreasing to 50% at 40 °C, noncondensing
Over voltage category	Class II
Pollution degree	2
Included in delivery	Power cable (country specific) Interface cable Paper roll (1 pcs) Ribbon cartridge (1 pcs)
Dimensions	120 mm x 203 mm x 73 mm (WxDxH)
Net weight	740 g (paper roll included)



Pos.	Item	Part number	Delivery Quality
1	Paper cover	12120734	1 pcs
2	Paper roll 57.5 x Ø 50mm	00072456	5 pcs
	Paper roll, self-adhesive	11600388	1 pcs
3	Paper rotary axis	12120735	1 pcs
4	Ribbon cartridge, black	00065975	2 pcs
	RS9 M/F Cable, 1.5m	11101051	1 pcs
	RS9 F/F Cable	51190362	1 pcs
	USB Cable 1m	12130716	1 pcs