



KANOMAX
The Ultimate Measurements

Anemomaster[®]

Vane

MODEL 6822/6824/6825



Best vane type for measurement in places with large wind velocity distribution and temperature change

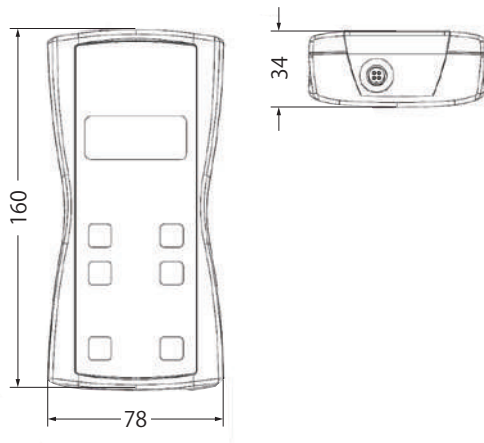
- High accuracy ($\pm 3.0\%$)
- 3 different types available for various applications
- Hold function for easy reading of air velocity value
- Possible to keep data of maximum & minimum value and transfer the data
- Wide measurement range of air velocity (0.2~20.0m/s)
- Large vane measures airflow even from small outlets with low variation

Main Specification

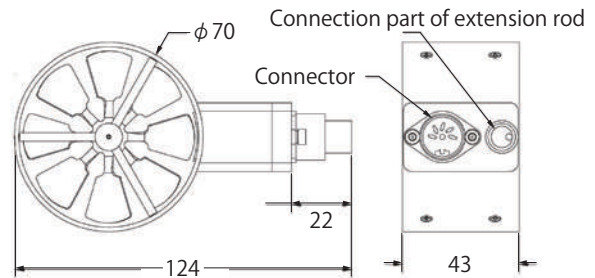
Product name		Vane Anemomaster		
Product model		6822	6824	6825
Meas. parameter		Air velocity / Air flow volume	Air velocity / Temp.	Air velocity / Temp. / Humidity
Meas. range	Air velocity	0.2~20.0 m/s		
	Temp.	N/A	-20 ~ 100°C	-20 ~ 100°C
	Humidity	N/A	N/A	5.0 ~ 95.0%RH
	Air flow	0 ~ 9999 cfm	N/A	N/A
Meas. accuracy	Air velocity	±3% of reading or ±0.1m/s, whichever is greater		
	Temp.	N/A	±1.0°C	±1.0°C
	Humidity	N/A	N/A	±2%RH
Resolution	Air velocity	0.01 m/s	0.01 m/s	0.01 m/s
	Temp.	N/A	0.1°C	0.1°C
	Humidity	N/A	N/A	0.1%RH
Power		AA battery (*3pcs)		
Battery lifetime		Approx. 150 hours (*no backlight)		
Operational environment	Main unit	0 ~ 50°C		
	Probe	-20~100°C 、 -20~80°C (*HTP202)		
Dimensions	Main unit	78W x 160H x 34D (mm)		
	Vane probe	Approx. Φ70 (mm)		
	HTP202 probe	Approx. Φ23.5 x 155 (mm)		
Weight		Approx. 175g (*w/o AA batteries)		
Warranty		1 year after the purchase		
Standard Accessories		N/A	N/A	Temp. & Humidity probe HTP202 (*only for 6825)
		AA battery (*3pcs)		
		Probe connection cable (*1.5m)		
		Extension rod (*flexible type: 166 ~ 909mm)		
		Carrying case		
		Instruction manual		

Dimensions (mm)

<Main Unit>



<70mm probe>



KANOMAX JAPAN, INC.

2-1, Shimizu, Suita-shi Osaka, 565-0805
 TEL : 81-6-6877-0183
 FAX : 81-6-6877-5570
 E-mail : sales@kanomax.co.jp
 URL : www.kanomax.co.jp
 www.kanomax-usa.com

● Distributed by :