

## Miniature probes

The miniature probe is used for humidity and temperature measurement in confined spaces. It also calculates the dew/frost point and can be installed discretely. The 4 mm probe has a spike tip for insertion in walls.

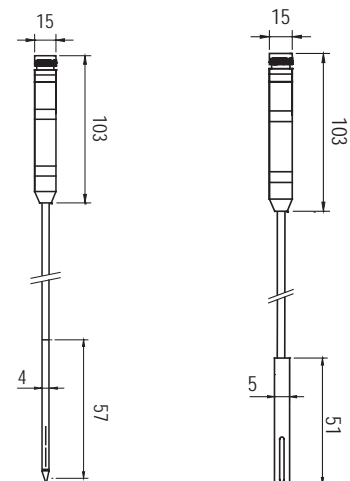
### APPLICATIONS

Museums, glass cabinets, building material tests, automotive and aviation industries, testing laboratories, paper, textile and pharmaceutical industries.

### FEATURES

- Accuracy:  $\pm 1.5\%rh$ ,  $\pm 0.3\text{ K}$ , at  $10...30\text{ }^\circ\text{C}$
- Range of application:  $-40...85\text{ }^\circ\text{C}/0...100\%rh$
- Digital interface (UART) and scalable analog outputs,  $0...1\text{ V}$
- Standard output scaling:  $0...1\text{ V} = -40...60\text{ }^\circ\text{C}/0...100\%rh$
- Adjusted at  $23\text{ }^\circ\text{C}$  and 10, 35, 80 %rh

Order code	HC2-C04	HC2-C05
Probe type	Cable probe, $\varnothing 4\text{ mm}$	Cable probe, $\varnothing 5\text{ mm}$
Accuracy	$\pm 1.5\%rh$ , $\pm 0.3\text{ K}$ , at $10...30\text{ }^\circ\text{C}$	
Power supply	3.3...5 VDC, adjusted at 3.3 VDC, current: $\sim 4.5\text{ mA}$	
Sensor type	ROTRONIC HYGROMER <sup>®</sup> IN-1, PT100 1/3 Class B	
Response time	<15 s, without filter	
Housing material	Stainless steel, DIN 1.4305	Brass, nickel-plated
Weight	85 g	85 g
Cable length	2 m	



HC2-C04

HC2-C05

### Compatible

- Handheld instruments HP32
- Transmitters HF5, PF4, PF5

### Delivery package

- Factory adjustment certificate

### Recommended accessories

- Extension cable 2 m, black E2-02A
- Teflon filter for HC2-C05 SP-T05
- Calibration device ER-05
- Humidity standard for calibration 10 %rh EA10-SCS
- Humidity standard for calibration 35 %rh EA35-SCS
- Humidity standard for calibration 80 %rh EA80-SCS